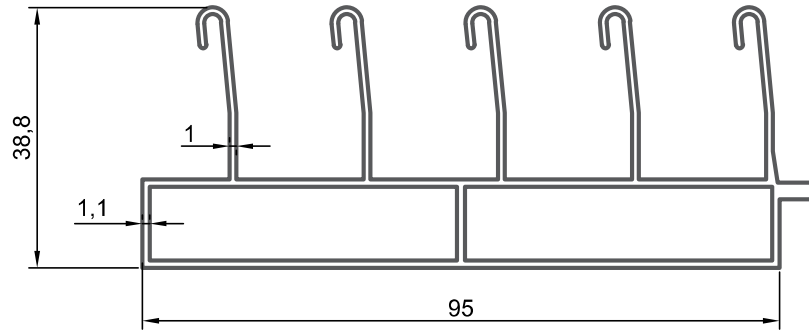


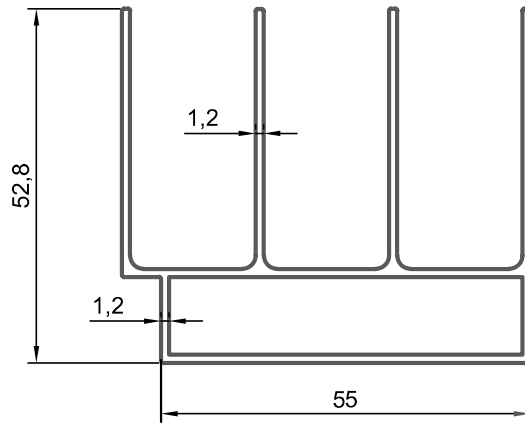
E-3214

MT/G : 1.439



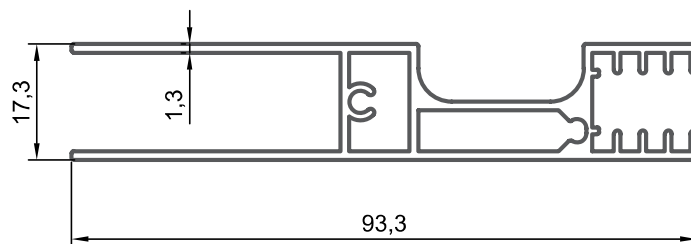
E-3211

MT/G : 1.151



E-3212

MT/G : 0.970



E-3213

MT/G : 0.960